

HP 8347A Amplifier specifications

Specifications describe the instrument's warranted performance over the temperature range 20 to 30°C. **Supplemental characteristics**, denoted typical or nominal, are intended to provide information useful in applying the instrument, but are non-warranted parameters.



Frequency range: 100 kHz to 3 GHz

Maximum leveled output power:
≥+20 dBm

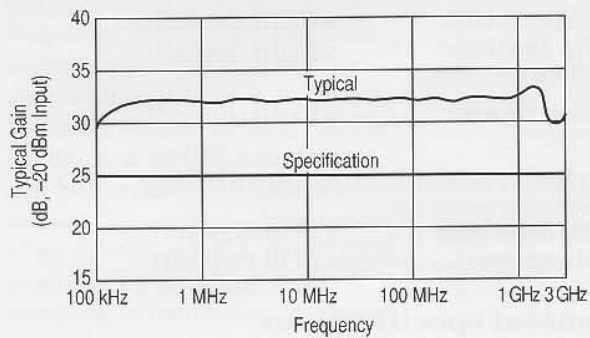
Output power leveling range:
+2 to +20 dBm

1 dB compression point:
+22 dBm nominal

Power flatness: (ALC On) ±1.5 dB

Minimum small signal gain:
≥25 dB

Typical gain



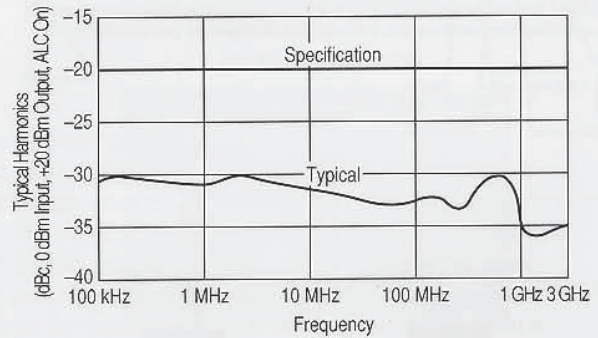
Harmonics: (at maximum specified output power)

ALC Off: <-25 dBc

ALC On: <-20 dBc

Third-order intercept: +30 dBm, nominal

Typical harmonics



Maximum continuous input:

Microwave power: +27 dBm

DC voltage: ±10 V

Input and output impedance:

50Ω, nominal

Input SWR: <2.0:1 (typical)

Output SWR: (typical)

ALC on: 1.5:1

ALC off:

Below 2 GHz: 2.0:1

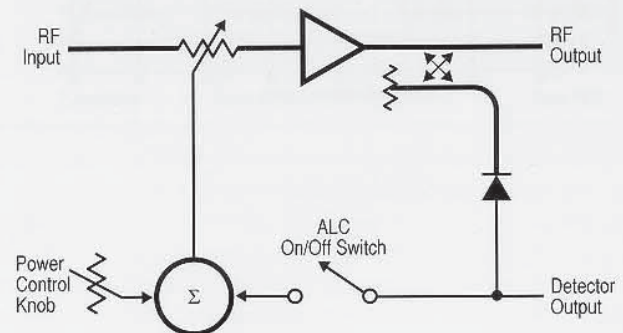
2 to 3 GHz: 3.0:1

Reverse isolation: >60 dB (typical)

Noise figure:

10 MHz to 3 GHz: <15 dB (typical)

Below 10 MHz: <20 dB (typical)



Simplified block diagram

General specifications

Input and output connectors: Type N Female

Power requirement: 50 to 400 Hz, 100, 120,

200, or 240 Volts AC (±10%); 45 VA maximum

Weight: Net 4 kg (8 lb); shipping 5 kg (11 lb).

Dimensions: 102 H x 213 W x 298 mm D (4 H x 8.4 W x 11.7 in D).